

**REFRIGERATOR MANUFACTURER**  
**Turbo air**

more durable, efficient, beautiful

4184 E. Conant St.  
 Long Beach, CA 90808  
 Tel. 310-900-1000  
 Fax. 310-900-1077  
[www.turboairinc.com](http://www.turboairinc.com)

Project:	
Model #:	
Item #:	
Available W/H:	Qty:
Approval:	
AIA #:	SIS #:
CSI Section 11400	

# Horizontal Open Display Cases

Low Profile  
 Glass Side Panel

## Patented Self-Cleaning Condenser



This product is equipped with a fine mesh filter to the front of the condenser to catch dust, and a rotating brush that moves up and down daily to remove excess buildup outward and away.

**Model : TBA37-50N-W(B)**



**TBA37-50N-W**



**TBA37-50N-B**

## ≡ FEATURES & BENEFITS ≡

- **Self-Cleaning Condenser**  
 The accumulation of dust in the condenser can cause the failure or breakdown of refrigerators. Refrigerators run normally until they reach a certain level of accumulation. At some point, when they are over the limit, their performance drops quickly resulting in damage to, or disposal of the stored products inside. The Self-Cleaning Condenser device keeps the condenser clean and prevents system failure by automatically brushing daily.
- **Hydrocarbon refrigerants (R-290)**  
 With innovative and eco-friendly technology, Turbo Air brings you hydrocarbon refrigerators designed to meet DOE's Energy Conservation Standards in 2017 and to use EPA's SNAP Program approved HC refrigerants. Hydrocarbon refrigerants do not deplete the ozone layer and have very low contribution to global warming (ODP-0, GWP-3).
- **LED interior lighting under each shelf**
- **Digital temperature controller**
- **Modern design**  
 Exterior top and bottom have a mirror finish with glass side walls. Bottom side panels foamed with polyurethane, high-density cell insulation (CFC free).
- **Bottom glass shelf and stainless steel back wall with a mirror finish**
- **Standard back-guard improves airflow**
- **Stainless steel interior standard including back wall and deck pans**
- **Adjustable, tempered glass shelves standard (Cantilever type)**
- **Perforated interior back wall & top for improved airflow**
- **Foamed with polyurethane, high-density cell insulation (CFC free)**
- **Front air intake and rear air discharge**




Model	CU./FT.	# of Shelves	HP	AMPS	Crated Weight (lbs.)	L x D x H* (inches)
<b>TBA37-50N-W(B)</b>	<b>4.2</b>	<b>2</b>	<b>3/4</b>	<b>5.9</b>	<b>450</b>	<b>37 x 28 x 48 5/8</b>

# Horizontal Open Display Cases

Low Profile  
Glass Side Panel

## Model : TBA37-50N-W(B)

ELECTRICAL DATA	
Voltage	115/60/1
Plug Type	 NEMA 5-15P
Full Load Amperes	5.9
Compressor HP	3/4
Cord Length (ft.)	9 1/8
Refrigerant	R-290
DIMENSIONAL DATA	
Net Capacity (cu. ft.)	4.2
Ext. Dimension (L x D x H*) (in.)	37 x 28 x 48 5/8
Int. Dimension (L x D x H) (in.)	32 7/8 x 18 3/8 x 22
# of Shelves	2
Shelf Size (in.)	32 3/8 x 12 5/8, 32 3/8 x 8 3/4
Net Weight (lbs.)	300
Gross Weight (lbs.)	450

Design and specifications subject to change without notice.  
Actual shipping weight may differ due to extra packing materials for product protection.  
\* Height does not include 2-1/4" for caster height.

### ■ WARRANTY : 2 Year Parts and Labor Warranty Additional 3 Year Warranty on Compressor

### ■ STANDARD FEATURES

- Simple plug-in installation
- No plumbing required
- Digital electronic thermostat with defrost control
- Energy saving night curtain
- 3" dia. swivel casters with locks on the front set
- White and black color come standard

\*\* Lead time applies. Please contact your sales representative for more details to order.

### ■ Recommended operating conditions

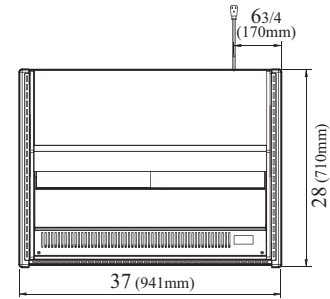
TBA models are designed to operate in an environment where temperature & humidity do not exceed 80°F and 55% respectively. Units should not be installed near HVAC vents, fans or doorways that will disrupt the air curtain and compromise the function of the cabinet. Air curtain models will run most efficiently when completely loaded with product. When used as a built-in, required clearance for the rear is 4" and the top is 5".

### ■ OPTIONAL ACCESSORIES

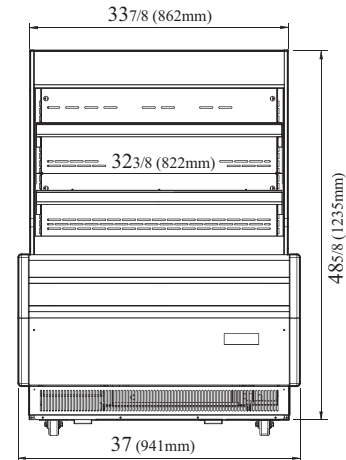
- Price tag channel: B123399010 (4"L)

## PLAN VIEW

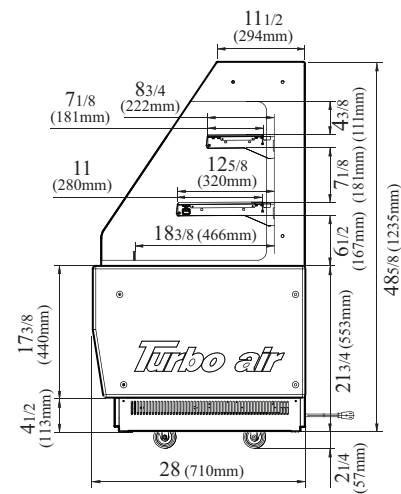
(unit : inch)



TOP VIEW



FRONT VIEW



SIDE VIEW

Ver.20210816



- Turbo Air : 800-627-0032
- GK : 800-500-3519
- Warranty : 800-381-7770
- AC : 888-900-1002

REFRIGERATOR MANUFACTURER  
**Turbo air**

GERMAN  
KNIFE

RADIANCE

REFRIGERATION SYSTEM  
**Turbo air** **Texaking**

Continued product development may necessitate specification changes without notice.